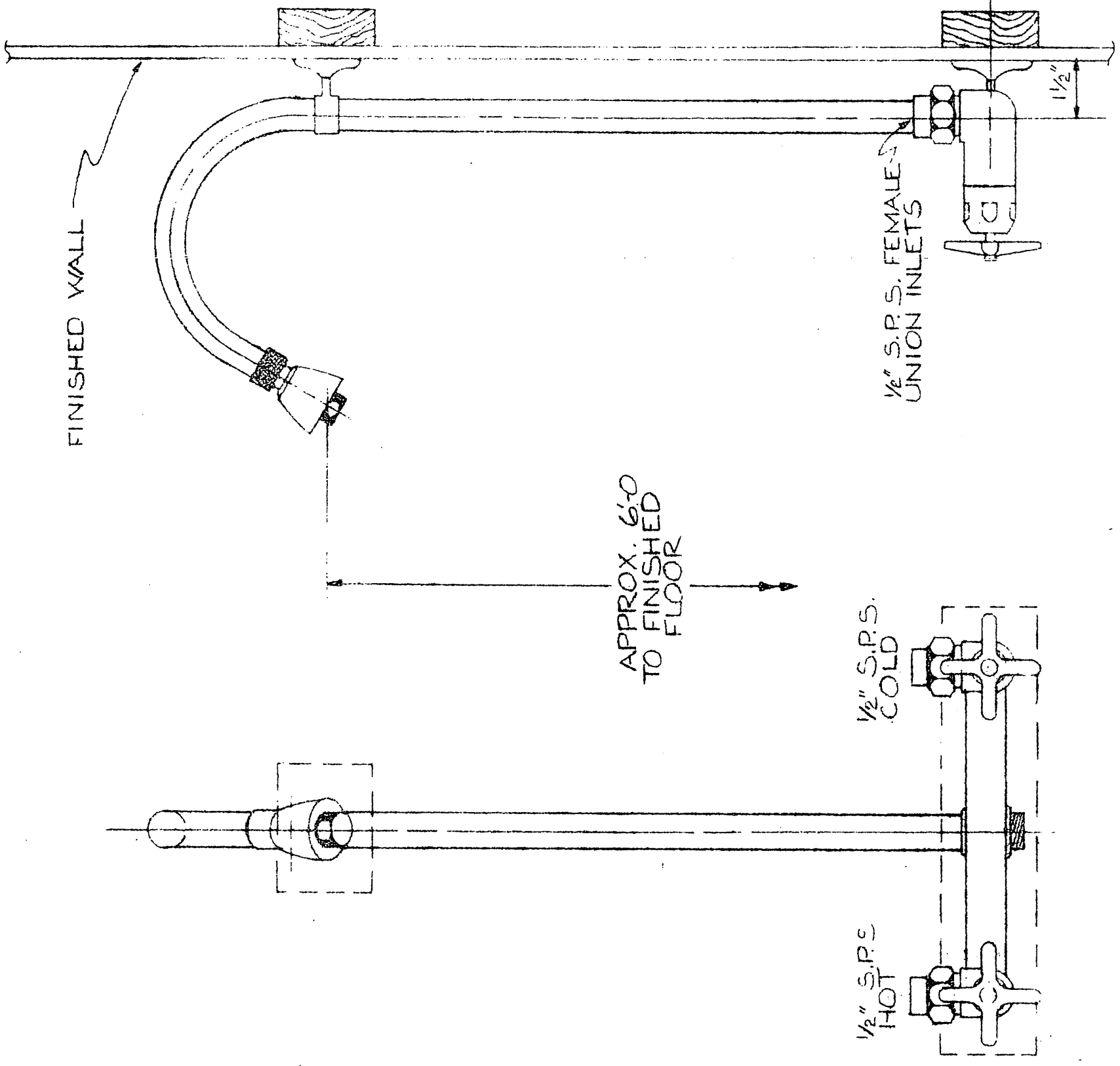
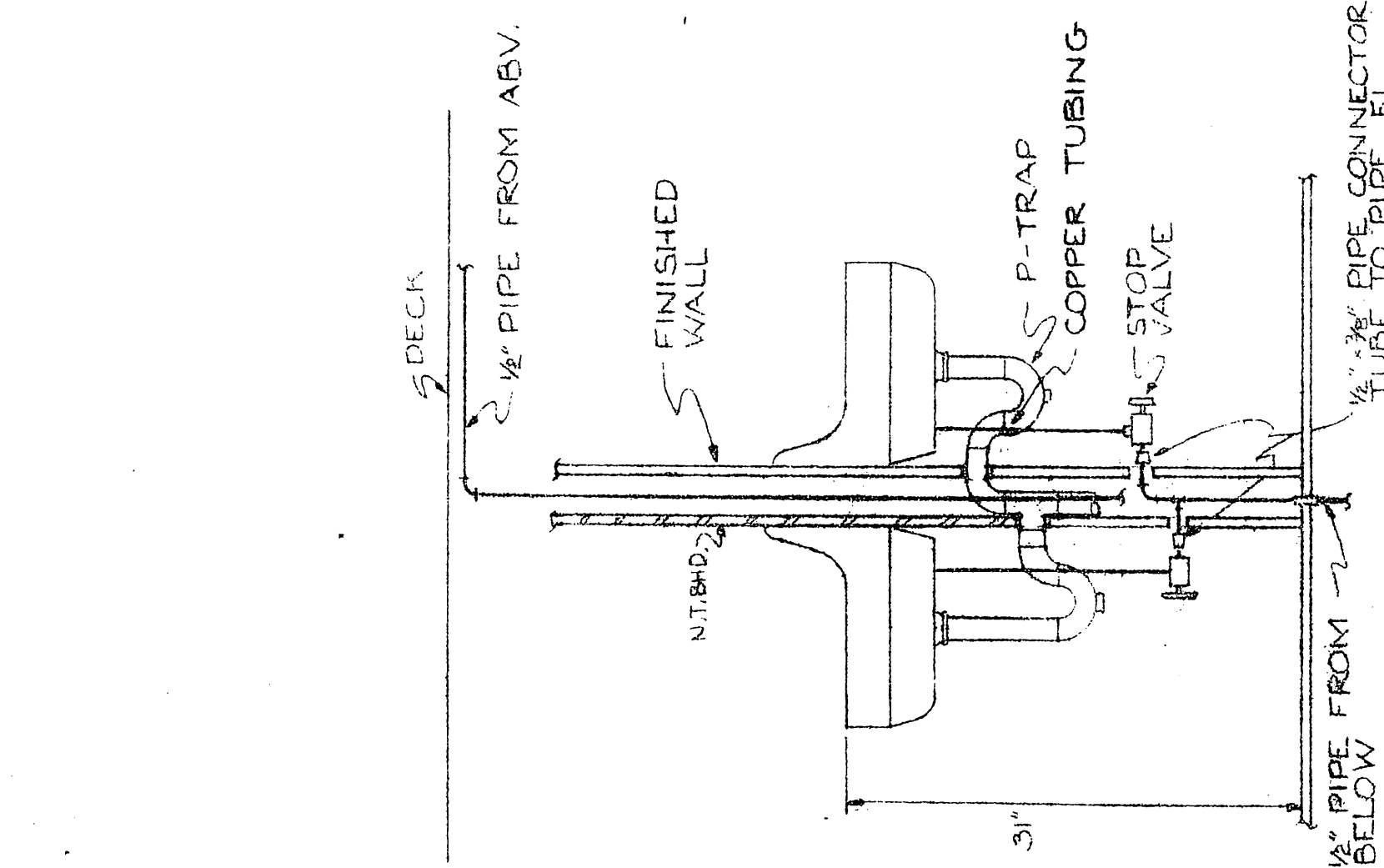


REV.	DATE	DESCRIPTION	BY	CHKD.
1		REV DWG. PER MARKED-UP PRINT FROM DALE GEORGE		
		CHECK FOR WTR RING STRONG FROM EVERY 30' TO BERRY IS		



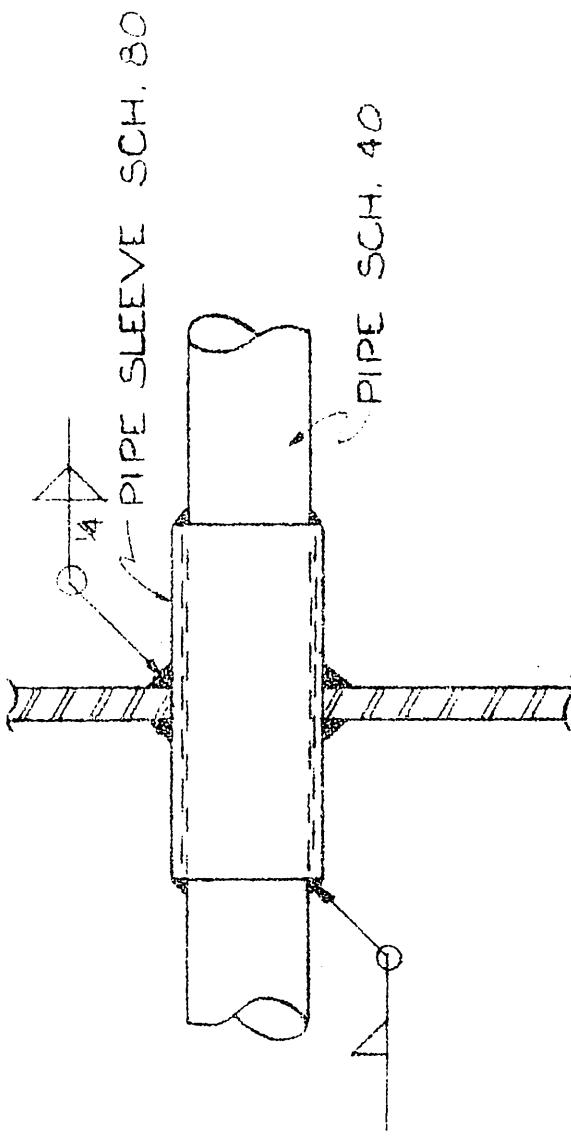
SHOWER ASSEMBLY
N.T.S.

NO.	DESCRIPTION
1	LAVATORY CRANE #1195-V 2018 WHITE BRASS W/ BASE W/ POP UP WASTE FAUCET CRANE #8-5002 MODIFIED SELF CLOSING CRANE 8-5002 SUPPLY W/ 1/2\"/>
2	WATER CLOSURES: 1. CRANE #3-297 E.R. CLOSURE W/ 1/2\"/>
3	SHOWER ASSEMBLY: CRANE #2372 - COMPLETE W/ 2 VALVE SHOWERS, 2 CUP BOWLS, 2 BODIES FOR SUPPLIES FRONT ABOVE OR BELOW HEAD BE SEAKS ROEBUCK NO. W 42 G 2008 OR EQ
4	GALLEY SINK (RESERVED)
5	DRINKING FOUNTAIN: HALSEY TAYLOR MODEL #M-809 ELECTRIC COOLER
6	WASHER # DRYER: BUILDER FURN.
7	WATER HEATER: CRANE MOD #CS 82 DE OR EQ (82 GAL)
8	POTABLE WTR PRES SET: MYERS MOD. HC-75 3/4\"/>
9	SANITARY PRESS SET: SAME AS POT. WTR PRESS SET
10	ELECTRIC WTR HEATER (RESERVED)
11	BROMINATOR: EVERPURE 55FM 50 T OR EQ
12	EVERPURE FILTER: 2 RT-9 CI EA @ GALLEY SINK AND @ ICE MAKER AND 1 RT-3 @ DRINKING FOUNTAIN OR EQ



LAVATORY SUPPLY
N.T.S.

SUPPLY IS FROM ABOVE OR BELOW



TYPICAL W.T. BHD. OR DK. PENETRATION
N.T.S.

NO.	QUANTITY	DESCRIPTION	MATL.	REMARKS
F1	12	PIPE SCH. 40 SMLS	BLK STL ASTM A53 GR B	
F2	12	PIPE SCH. 40 SMLS	MIL GALV ASTM A53 GR B	
F3	12	VALVE GATE 150# 3\"/>	CRANE # 43-05 ASTM B62	
F4	12	VALVE CHECK VALVE 150# 3\"/>	CRANE # 41 ASTM B62	
F5	12	VALVE GATE 150# 3\"/>	CRANE # 43-08 ASTM B62	
F6	12	STRAINER 1/2\"/>	IRON BODY CRANE # 38 1/2 OR EQ ASTM A216	
F7	12	WALL CONNECTOR (W/ 3\"/>	BRASS SWAGelok #600-1-B OR EQ	
F8	12	30\"/>	BLK STL GRINNELL OR EQ ASTM A 234	
F9	12	90\"/>	BLK STL GRINNELL OR EQ ASTM A47 GRINNELL OR EQ	
F10	12	CONCRETE B.W.		
F11	12	BUSHING HK HD SCRD	BLK STL ASTM A 234 GRINNELL OR EQ	
F12	12			
F13	12			
F14	12			
F15	12			
F16	12			
F17	12			
F18	12			
F19	12			
F20	12			
F21	12			
F22	12			
F23	12			
F24	12			
F25	12			
F26	12			
F27	12			
F28	12			
F29	12			
F30	12			
F31	12			
F32	12			
F33	12			
F34	12			
F35	12			
F36	12			
F37	12			
F38	12			
F39	12			
F40	12			
F41	12			
F42	12			
F43	12			
F44	12			
F45	12			
F46	12			
F47	12			
F48	12			
F49	12			
F50	12			
F51	12			
F52	12			
F53	12			
F54	12			
F55	12			
F56	12			
F57	12			
F58	12			
F59	12			
F60	12			
F61	12			
F62	12			
F63	12			
F64	12			
F65	12			
F66	12			
F67	12			
F68	12			
F69	12			
F70	12			
F71	12			
F72	12			
F73	12			
F74	12			
F75	12			
F76	12			
F77	12			
F78	12			
F79	12			
F80	12			
F81	12			
F82	12			
F83	12			
F84	12			
F85	12			
F86	12			
F87	12			
F88	12			
F89	12			
F90	12			
F91	12			
F92	12			
F93	12			
F94	12			
F95	12			
F96	12			
F97	12			
F98	12			
F99	12			
F100	12			

- GENERAL NOTES:
- POT WTR PIPING TO BE GALV. SCH 40 W/M. GALV. FITTINGS 150#
 - SAN. WTR PIPING TO BE SCH 40 BLK STL W/M. GALV. FITTINGS 150#
 - ALL FIXTURES (FAUCETS, ETC) ARE TO HAVE STOP VALVES
 - PIPING IS TO BE THOROUGHLY CLEANED AFTER INSTALLATION AND BEFORE FUNCTION TESTING ACCORDING TO USPHS PROCEDURE FOR POT WTR PIPING.
 - ALL PIPE SUBJECT TO MECH. INJURY OR UNDUABLE VIBRATION SHALL BE ADEQUATELY PROTECTED AND/OR SUPPORTED.
 - PROVIDE UNIONS, FR. FLANGES IN POT. WTR PIPING SYSTEMS.
 - USE BUSHINGS WHEN REDUCING TO NEXT PIPE SIZE.
 - POTABLE WTR PIPING SHALL BE GALVANIZED WITH 100% ZINC RICH METAL FINISH.
 - AT THE VARIOUS TERMINAL POINTS OF THE PIPING IS TO BE INSTALLED AS DIRECTLY AS POSSIBLE W/ A MINIMUM NUMBER OF BENDS
 - POTABLE WTR PIPING SHALL BE RINGED STRIPED EVERY 15' AT THE VALVES SHALL ALSO BE PAINTED LIGHT BLUE #1004 LAGOLINE.

NOTE: FOR SHEET #1 SEE DWG. C-1003-44

1	HOT WTR. CIRC. PUMP: BELL GOSSETT SERIES HV 1/2" OR EQ
---	--

MISSISSIPPI MARINE HULL # 90

DESIGN ASSOCIATES, INC.
 NAVAL ARCHITECTS NEW ORLEANS, LA.
 MARINE ENGINEERS

TIDEWATER MARINE SERVICE
 1407 x 367 x 10'
 SEISMIC VESSEL

POTABLE SANITARY WTR PIPING
 DETAILS SHEET # 2

Drawn: J.L. Date: 2/23/82 Checked: P.E.G.
 Traced: J.L. Date: Date: Scale: 1/2"=1'-0"
 Sheet 1 of 1 Drawing No. 202-25 Revision Mark A